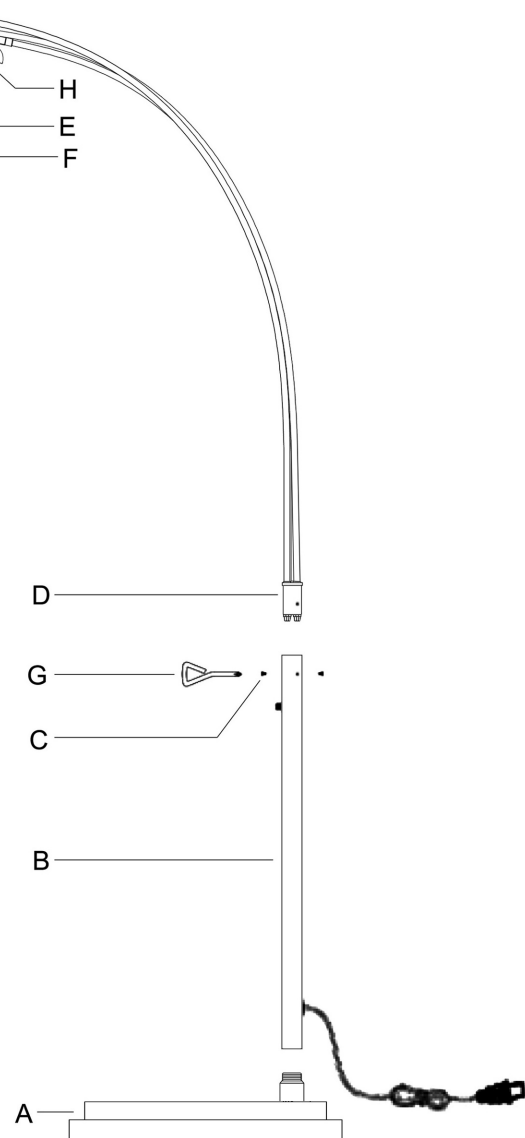
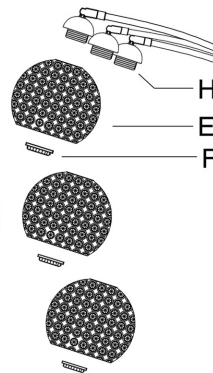


ASSEMBLY INSTRUCTIONS

Because light in the body, suggested that the two people assembled

1. PLACE THE SOCKET ASSEMBLY (D) ONTO THE TUBE (B)
2. WITH THE SCREWDRIVER(G) TO TIGHTEN THE SCREWS(C) THROUGH THE TUBE(B) IN THE SOCKET ASSEMBLY(D)
3. FASTEN TUBE (B) ONTO LAMP BASE (A)
4. ADJUST THE SOCKET ASSEMBLY (D) WITH REFERENCE TO THE DIRECTION OF LIGHT MAP
5. PUT THE SHADE (E) ONTO THE SOCKET ASSEMBLY (D)
6. TIGHTEN SCREW COLLAR RING (F)



WARNING

DO NOT USE POLISHER OR CLEANERS ON YOUR LAMP JUST WIPE CLEAN WITH SOFT CLOTH.

IMPORTANT SAFETY INSTRUCTIONS

THIS PORTABLE LAMP HAS A POLARIZED PULG (ONE BLADE IS WIDER THAN THE OTHER).AS A FEATURE TO REDUCE THE RISK OF ELECTRIC SHOCK. THIS PLUG WILL FIT IN A POLARIZED OUTLET ONLY ONE WAY. IF IT DOES NOT FIT FULLY IN THE OUTLET, REVERSE THE PLUG. IF IT STILL DOES NOT FIT.CONTACT A QUALIFLED ELECTRICIAN. NEVERUSE WITH AN EXTENSION CORD UNLESS THE PLUG CAN BE FULLY INSERTED.